

## KBU Plastic-Encapsulate Bridge Rectifier

### Features

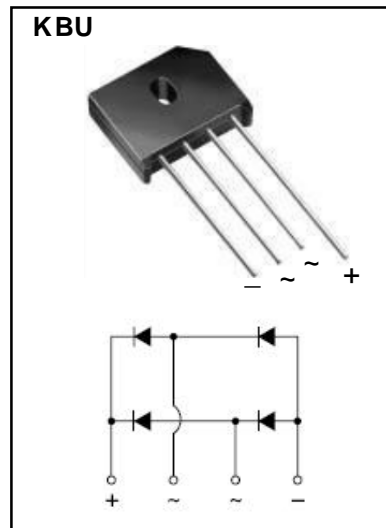
- $I_O$  25A
- $V_{RRM}$  50V-1000V
- High surge current capability
- Polarity: Color band denotes cathode

### Applications

- General purpose 1 phase Bridge rectifier applications

### Marking

- KBU25XX
- XX : From 005 To 10



### Limiting Values (Absolute Maximum Rating)

Item	Symbol	Unit	Conditions	KBU25						
				005	01	02	04	06	08	10
Repetitive Peak Reverse Voltage	$V_{RRM}$	V		50	100	200	400	600	800	1000
Average Rectified Output Current	$I_O$	A	60Hz sine wave, R- load, $T_c=100^\circ\text{C}$	25						
Surge(Non-repetitive)Forward Current	$I_{FSM}$	A	60Hz sine wave, 1 cycle, $T_a=25^\circ\text{C}$	400						
Current Squared Time	$I^2t$	$\text{A}^2\text{s}$	$1\text{ms} \leq t < 8.3\text{ms}$ $T_j=25^\circ\text{C}$ , Rating of per diode	664						
Storage Temperature	$T_{stg}$	$^\circ\text{C}$		-55 ~+150						
Junction Temperature	$T_j$	$^\circ\text{C}$		-55 ~+150						

### Electrical Characteristics ( $T_a=25^\circ\text{C}$ Unless otherwise specified)

Item	Symbol	Unit	Test Condition	Max
Peak Forward Voltage	$V_{FM}$	V	$I_{FM}=12.5\text{A}$ Pulse measurement, Rating of per diode	1.1
Peak Reverse Current	$I_{RRM}$	$\mu\text{A}$	$V_{RM}=V_{RRM}$ , Pulse measurement, Rating of per diode	10
Thermal Resistance	$R_{\theta J-C}$	$^\circ\text{C}/\text{W}$	Between junction and case	$0.8^{(1)}$

# Typical Characteristics

FIG.1-MAXIMUM FORWARD SURGE CURRENT

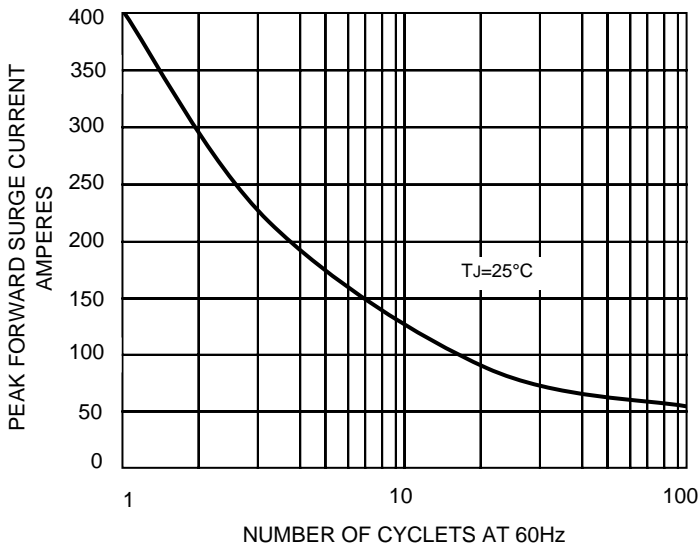


FIG. 2 – DERATING CURVE OUTPUT RECTIFIED CURRENT

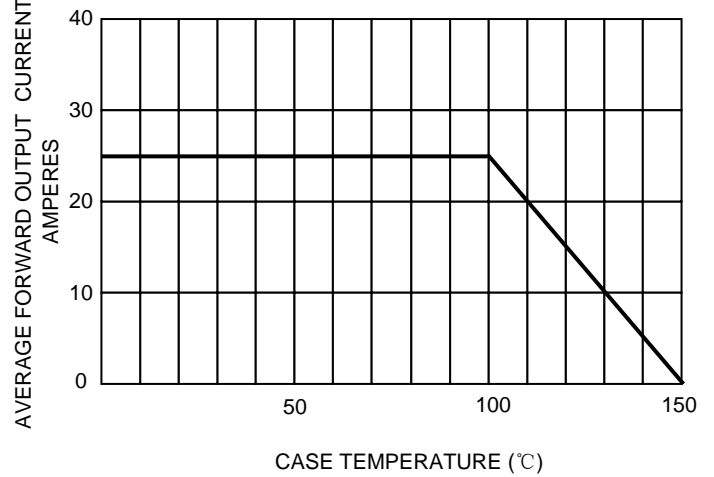


FIG.3– TYPICAL FORWARD CHARACTERISTICS

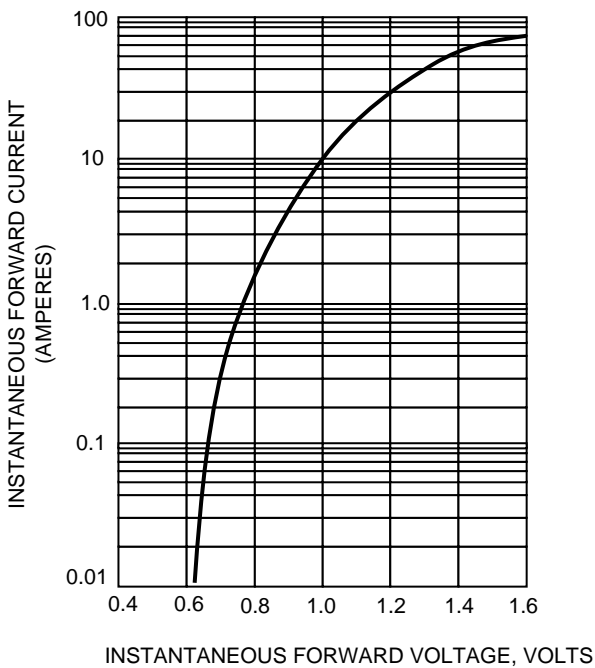
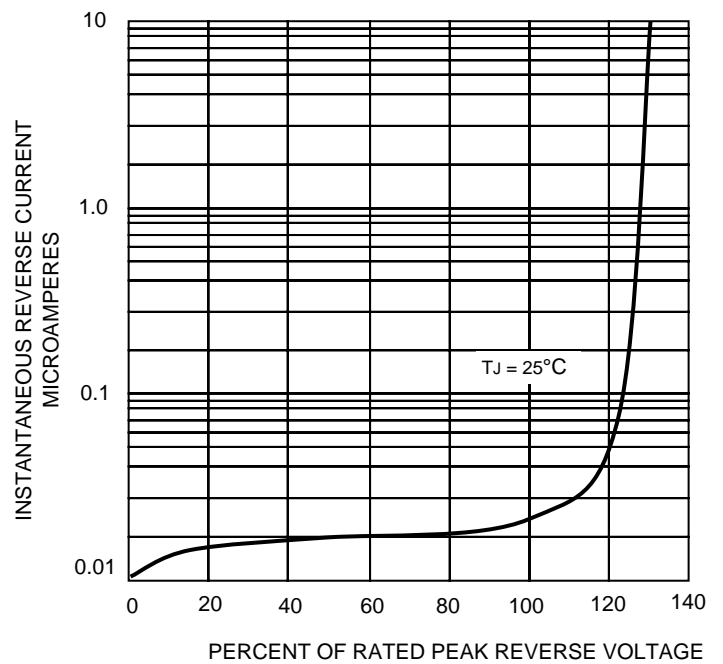
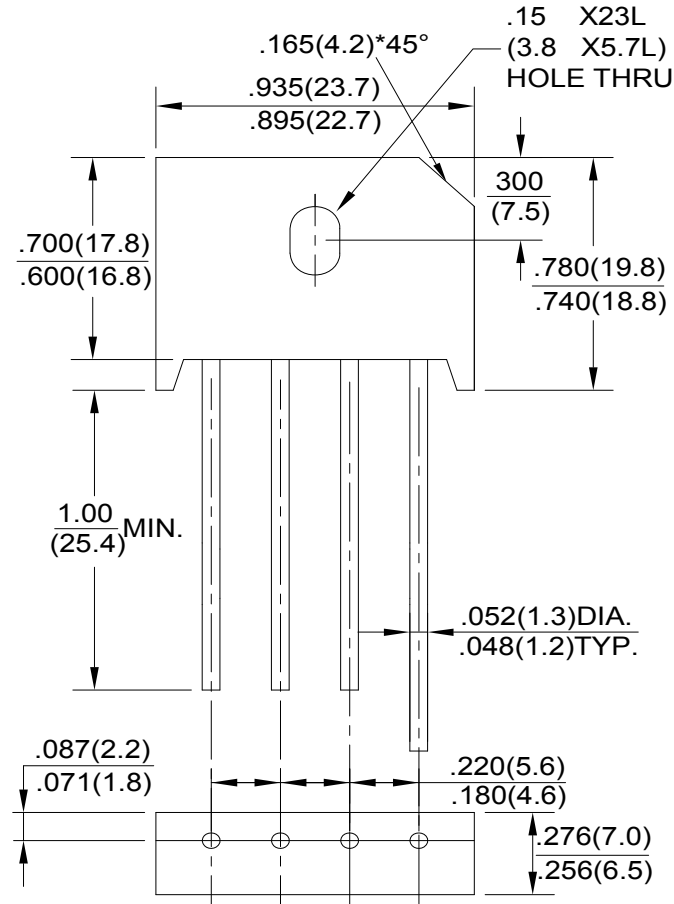


FIG.4– TYPICAL REVERSE CHARACTERISTICS



The cruve graph is for reference only, can't be the basis for judgment

## KBU Package Outline Dimensions



Dimensions in inches and (millimeters)

### NOTICE

JSMD reserve the right to make modifications, enhancements, improvements, corrections or other changes without further notice to any product herein. JSMD does not assume any liability arising out of the application or use of any product described herein.